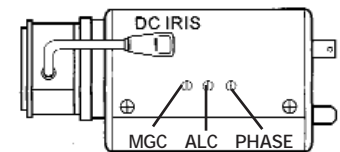
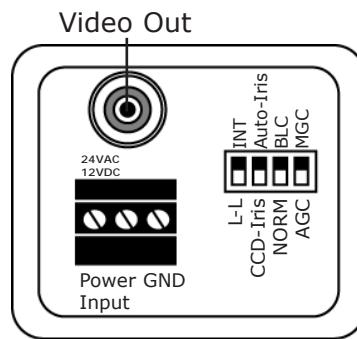
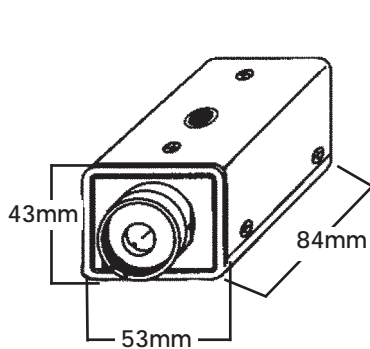




### Camera Features

- High Resolution 570 TVL
- 24VAC with Line Lock
- Back Light Compensation
- Compact Rugged Metal Design
- Direct Drive Auto Iris



### Technical Specifications

#### Electrical

	20A639 EIA	21A639 CCIR
CCD Sensor	1/3" Interline Transfer Type CCD	
Active pixels (HxV)	768 x 494	752 x 582
Horizontal Resolution	570 (TVL)	
Sensitivity	0.05 Lux at F1.2	
Signal to noise ratio	48 dB	
Gain	Automatic or manual	
Synchronization	Internal / Line Lock	
Back light compensation	On / Off	
Shutter speed	Electronic (1/60 ~ 1/10000)	Electronic (1/50 ~ 1/10000)
Iris	DC auto or CCD	
Video output	1Vp-p 75 ohms composite	
Power Supply	12VDC 24VAC +/- 10%	
Power Consumption	1.8 W	

#### Environmental

Ambient operating temp.	0° C ~ 50° C
Storage temp.	-30° C ~ 60° C

#### Mechanical

Dimensions WxHxD	53mm x 43mm x 84mm
Lens mount	CS Mount with Included C-Mount Adapter
Connectors	BNC, Power Terminal Strip, Auto Iris (4 pole)

#### Accessories

Optional	60P24VAC 60PR12DC800	24VAC Power Supply 12VDC 800mA Regulated Power Supply
----------	-------------------------	--

06/27/07 PDS-20A639 Rev E

All data subject to change without notice.

Videology® Imaging Solutions, Inc.



37M Lark Industrial Parkway  
Greenville, Rhode Island 02828 USA  
Tel: (401) 949 - 5332 Fax: (401) 949 - 5276  
North/South American Sales: Sales@videlogyninc.com

Videology® Imaging Solutions, Europe B.V.

Neutronenlaan 4  
NL-5405 NH Uden, Netherlands  
Tel: +31 (0) 413 256261 Fax: +31 (0) 413 251712  
European Sales: Info@videlogyn.nl