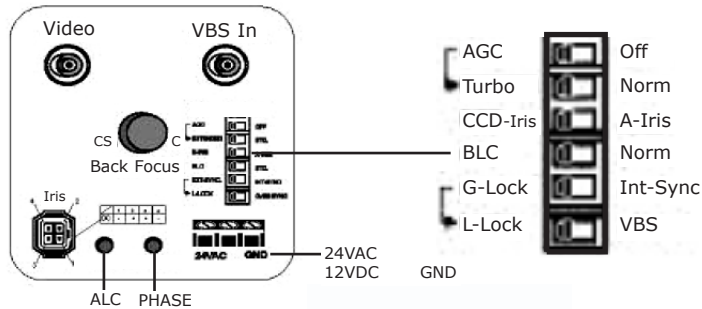
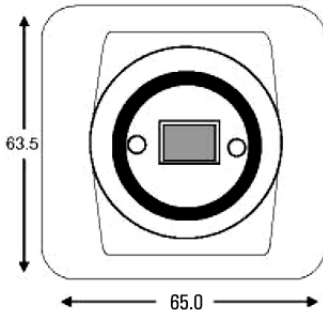




Camera Features

- Line Lock - 24VAC & 12VDC
- V-Phase Adjustable
- Super Simple Back Focus
- 0.05 Lux/F1.2 Low Light Sensitivity
- Extended Back Light Compensation
- EIA & CCIR



Technical Specifications

Electrical

	20A698 EIA	21A698 CCIR
CCD Sensor	1/3" IL	
Active pixels (HxV)	510 x 492	510 x 582
Horizontal resolution	380 (TVL)	
Vertical resolution	420 (TVL)	460 (TVL)
Sensitivity	.05 lux F1.2	
Signal to noise ratio	> 48 dB (AGC off)	
Gamma	Default 0.45	
Gain	On/off, enhanced, switchable	
Synchronization	Internal, sync. lock, line lock, v-phase adjustable +/- 90°	
Back light compensation	Yes, switchable to extended mode	
Shutter speed	Electronic, auto 1/60 to 1/100,000 sec	Electronic, auto 1/50 to 1/100,000 sec
Contour enhancement	Default On	
Iris	DC Auto Iris, Electronic Iris	
Video output	1Vp-p CVBS (75 Ohms)(AC Coupled)	
Power Supply	24VAC & 12VDC + 10%	
Power Consumption	2.3W	

Environmental

Ambient operating temp.	0.0° C ~ 50° C
Storage temp.	-30° C ~ 60° C

Mechanical

Dimensions WxHxD	65mm x 63mm x 61mm
Weight	150g
Lens mount	C Mount with adapter ring CS Mount
1/4 - 20 mount	Recessed threads for mounting on top or bottom

Accessories

Included	Back focus allen key C Mount adapter ring
Optional	60PR12DC800 12VDC regulated power supply

