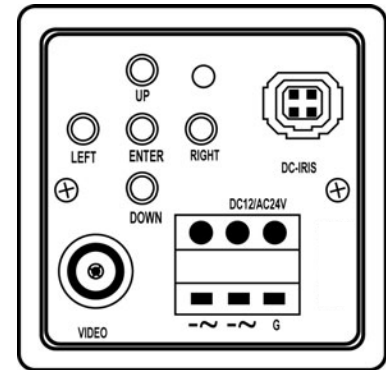
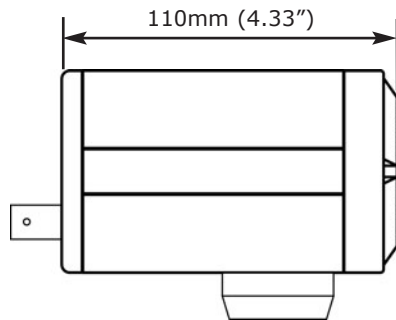
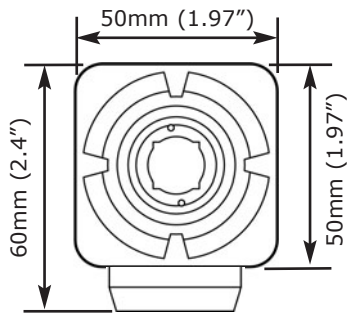




Camera Features

- 1/3" High Resolution Sensor
- WDR To 120dB & Optional True Day/Night
- OSD Control
- Digital Pixel System
- Flickerless Modes



Technical Specifications

	20B709W NTSC	21B709W PAL
Electrical	1/3" CMOS Digital Pixel System	
Image Sensor	1/3" CMOS Digital Pixel System	
Active Pixels (HxV)	742 x 552	
Resolution	480 TVL	
Sensitivity	0.6 lux @ 30 IRE (F1.2) 0.08 lux (w/ DSS on)	
Dynamic Range	120dB(max), 102dB (typical)	
Signal To Noise Ratio	48 dB or more	
Auto White Balance	On/off (2500K – 9500K)	
Auto Tracking WB	On/off	
Gain	AGC max on/off	
Synchronization	Internal/line lock	
Gamma	0.45	
Iris Control	DC iris/Electric	
Shutter Speed	1/60 to 1/100,000	1/50 to 1/100,000
Video Output	1V p-p composite 75 Ohms	
Power Supply	12VDC/24VAC	
Power Consumption	< 2.9W	

Environmental		
Ambient Operating Temp	-10°C ~ 55°C (-14°F ~ 122°F)	
Storage Temp	-20° ~ 70° C (-4°F ~ 158°F)	
Operating Humidity	< 90% non-condensing	
Storage Humidity	< 95% non-condensing	

Mechanical

Dimensions WxHxD	50 x 50 x 85mm (1.97" x 1.97" x 3.35")	
With Connectors & Mount	50 x 60 x 102.6mm (1.97" x 2.4" x 4.04")	
Weight	217.5g (0.48 lbs)	
Lens Mounts	C, CS	
Connectors	Power 24VAC	Terminal strip
	Video Output	BNC (rear)
	Iris	DCAI (4pin)

Accessories

Included	1 mounting plate: top or bottom mountable
----------	---

Certifications

	RoHS Compliant CE & FCC in Process (Others Available Upon Request)
--	--

Complementary Models

20B709TW	Optional WDR/TDN
----------	------------------