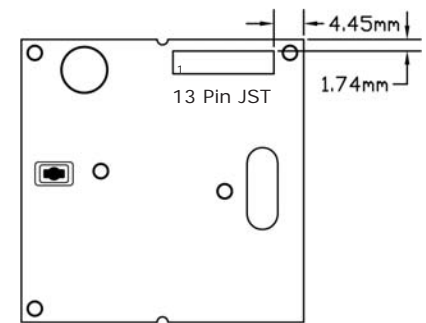
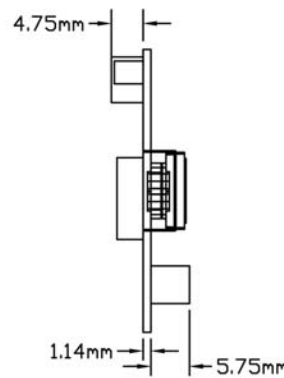
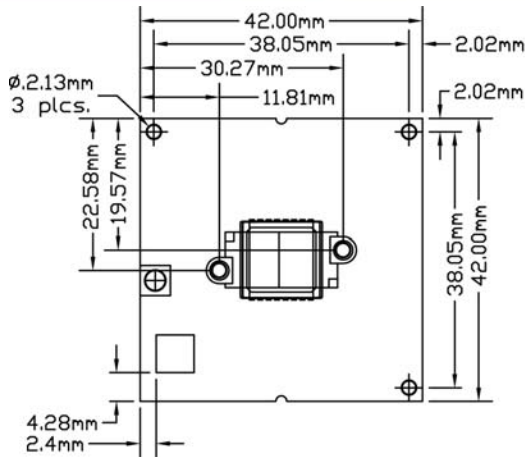
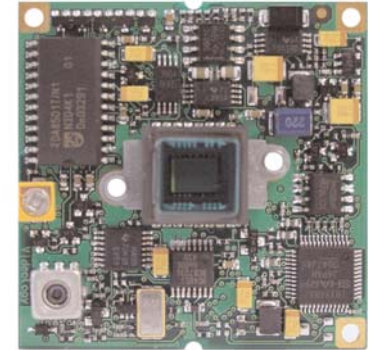




Camera Features

- High Resolution 490 TVL
- Y/C Output
- Push White Balance
- Internal Sync
- Backlight Compensation
- Mirror Mode (option)



Technical Specifications

Electrical	20D436YC	21D436YC
	20D439YC NTSC	21D439YC PAL
CCD Sensor	1/3" IL	
Active Pixels (H x V)	768 x 492	752 x 582
Horizontal Resolution	490 (TVL) Y/C	
Sensitivity	1.5 Lux (50 IRE) F1.2, 3200° K, lens transmission 80%, scene reflection 75%	
Signal to Noise Ratio	> 48 dB (AGC off)	
Gamma	Default 0.45	
Gain	Automatic (26 dB default)	
Synchronization	Internal	
Back Light Compensation	Off (Default) hardware/ software select	
White Balance	Push to set and auto, software select	
Shutter Speed	Automatic from 1/60 to 1/100,000	Automatic from 1/50 to 1/100,000
	Fixed shutter hardware/ software select	
Mirror Mode	On/Off selectable via software	
Iris	CCD Iris default / video iris	
Video Output	1Vp-p video Y = 1Vp-p (75 ohms) C = 700mVp-p	
Power Supply	12VDC (+3 -4) (Polarity protected)	
Power Consumption	2.0W excluding: auto iris power consumption	

Environmental

Ambient Operating Temp.	15° C ~ 55° C (5° F ~ 131° F)
Storage Temp.	-25° C ~ 70° C (-13° F ~ 158° F)

Board Mount Lens Options

Specify "L3" suffix for 2.9mm lens (example: 20D436YCL3)	
L4	3.6mm
L6	6mm
L8	8mm
L12	12mm
VA	4-9mm No Iris, Varifocal
VB	4-9mm DC Iris, Varifocal
WA	2.6-6mm No Iris, Varifocal
WB	2.6-6mm DC Iris, Varifocal

Mechanical

Dimensions WxHxD	42mm x 42mm x 25mm (1.65" x 1.65" x 0.98")	
Lens Mount	20D436YC / 21D436YC	Metal M-12 board lens mount with reference plate 12mm diameter, 0.5mm pitch
	20D439YC / 21D439YC	Metal CS mount with reference plate: Optional C mount with interface ring 60VZZ0030
Interfaces	13 Pin JST	

Accessories

Optional	24VAC power board
----------	-------------------

