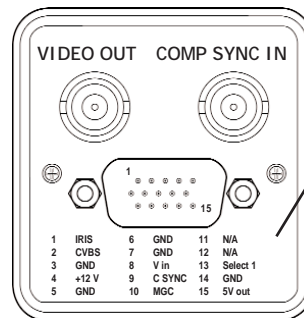
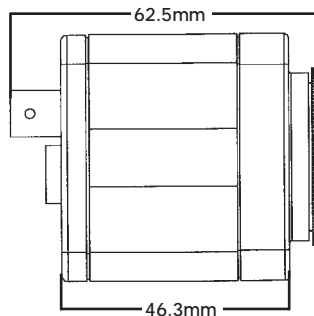
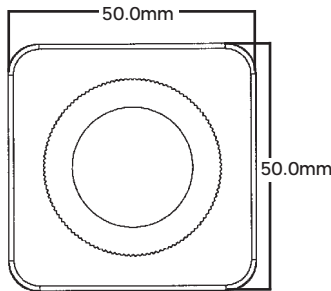




Camera Features

- Compact Rugged Metal Housing
- High Resolution to 570 TVL
- 0.006 Lux to Near IR
- External Synchronization, H/V or Composite Sync
- 15 Pin D-Sub High Density Connector



- | | | |
|---------|----------|-------------|
| 1 IRIS | 6 GND | 11 N/A |
| 2 CVBS | 7 GND | 12 N/A |
| 3 GND | 8 V in | 13 Select 1 |
| 4 +12 V | 9 C SYNC | 14 GND |
| 5 GND | 10 MGC | 15 5V out |

Technical Specifications

Electrical

	20D679 EIA	21D679 CCIR
CCD Sensor	1/3" IL CCD mounted on metal reference plate	
Active Pixels (HxV)	768 x 492	752 x 582
Horizontal Resolution	>570 (TVL)	
Sensitivity	0.05 lux at 50 IRE (F1.2 32dB Max gain), 0.006 minimum image capture spectral sensitivity to 1 micron, see spectral response curve	
Signal to Noise Ratio	48 dB	
Gamma	1.0 fixed	
Gain	Manual (AGC option)	
Synchronization	Internal sync, composite sync, V-sync	
Back Light Compensation	Off	
Shutter Speed	1/60 to 1/100,000	1/50 to 1/100,000
Contour Enhancement	Off	
Iris	Fixed	
Video Output	1Vp-p 75 ohms composite	
Power Supply	12VDC	
Power Consumption	<1.5W	

Mechanical

Dimensions WxHxD	50mm x 50mm x 53mm
Lens Mount	CS mount C mount via adapter ring
Connectors	15 pin D-Sub HD, CVBS Video Out (BNC), Composite Sync In (BNC)

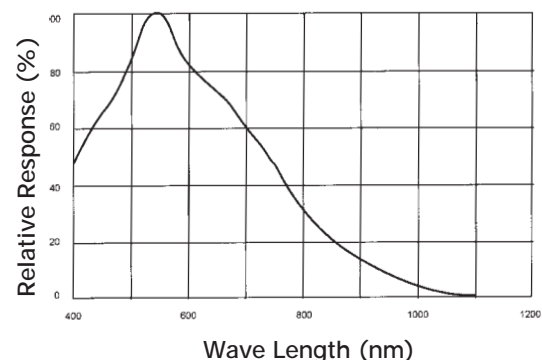
Accessories

Optional	60PR12DC800	12VDC regulated power supply
	60VZZ0030C	Mount with adapter ring
	mounting plate - top or bottom mountable	

Environmental

Ambient Operating Temp.	-10° C ~ 55° C
Storage Temp.	-20° C ~ 60° C

Spectral Response Curve



All data subject to change without notice.

05/11/07 PDS-20D679 Rev E

Videology® Imaging Solutions, Inc.



37M Lark Industrial Parkway
Greenville, Rhode Island 02828 USA
Tel: (401) 949 - 5332 Fax: (401) 949 - 5276
North/South American Sales: Sales@videologyinc.com

Videology® Imaging Solutions, Europe B.V.

Neutronenlaan 4
NL-5405 NH Uden, Netherlands
Tel: +31 (0) 413 256261 Fax: +31 (0) 413 251712
European Sales: Info@videology.nl