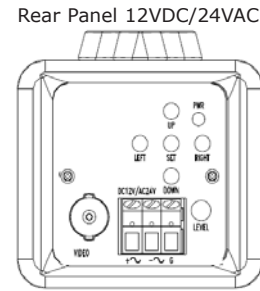
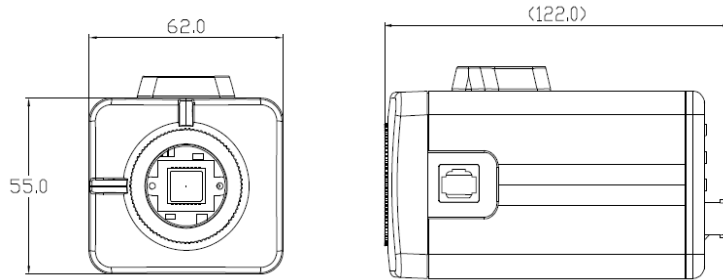




Camera Features

- 940nm Sensitivity Allows Use Of Undetectable IR Illumination. 40% More Than Most B/W Cameras
- 12VDC/24VAC
- OSD (On Screen Display) Control
- 570 TVL (20/21E608)



Technical Specifications

	20E618 NTSC	21E618 PAL	20E608 NTSC	21E608 PAL
Electrical				
Image Sensor	1/3" ExView HAD CCD			
Active Pixels (Color)	270k	320k	410k	470k
Total Pixels (H x V)	537 x 505	537 x 597	811 x 508	795 x 596
Sensitivity	0.01 Lux (F1.2, 30 IRE)		0.02 Lux (F1.2, 30 IRE)	
Resolution	430 TVL		570 TVL	
Shutter Speed	1/60s - 1/100,000s (NTSC)		1/50s - 100,000s (PAL)	
Signal To Noise Ratio	>48dB (AGC off)			
Gamma	0.45			
Synchronization System	Internal			
Power Supply	12VDC (11VDC - 20VDC) / 24VAC (20VAC - 27VAC)			
Power Consumption	1.56W (max)			

OSD Function

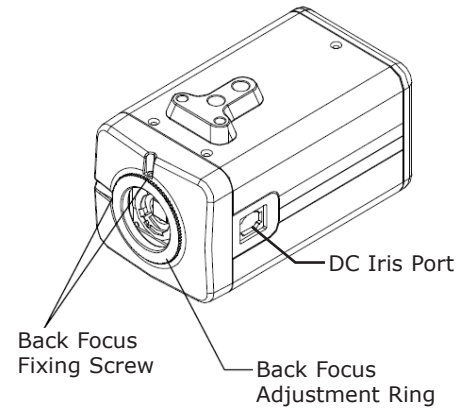
Iris	Manual, DC
Shutter	Fixed, manual, flk
BLC	Off/On
AGC	Off/On
White Balance	ATW, AWB, fixed, manual
Gain	AGC/fixd (min - max)
Camera ID	Off/On
Mirror	Off/On
Day/Night	Auto, B/W, color
Motion	Off/On
Privacy	Off/On
Gamma	0.05 - 1.0
Language	English, Korean, Chinese 1, Chinese 2, Japanese
Reset	Yes/No

Environmental

Operation Temperature	-10°C ~ 55°C (14°F ~ 131°F)
In Storage Temperature	-20°C ~ 70°C (-4°F ~ 158°F)
Operation Humidity	Under 90% (non-condensing)

Mechanical

Dimensions (W x H x D)	62mm x 55mm x 122mm (2.44" x 2.1" x 4.8")
Weight	235.9g (8.3 lb) (without lens)
Lens	C/CS



Accessories

Included	Top/bottom mounting plate
Optional	60P24VAC 24VAC power supply

04/21/09 PDS-20E618 Rev A
All data subject to change without notice.