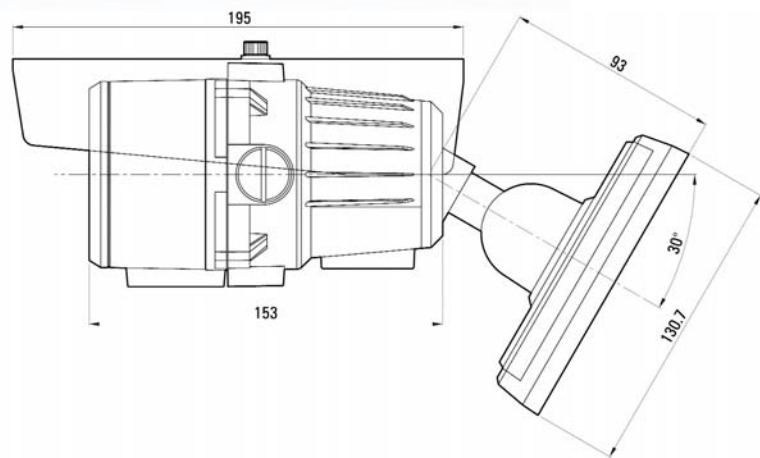
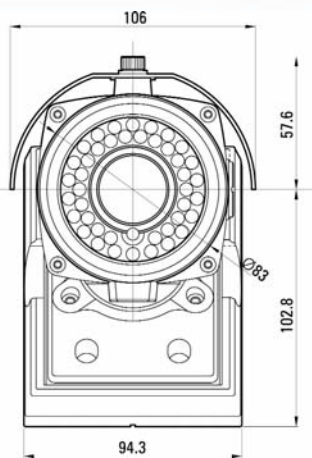




Camera Features

- True Day/Night Gen II With IR Filter Retraction On CCD Maximizes Sensitivity In B&W Night Scenes
- 1/3" Sony Super HAD CCD, 550 TVL
- 2x Digital Zoom (External Adjustment)
- 42 IR LEDs & 1 CDS Sensor (130 FT Range)
- Built-in DC Iris Super Digital Noise Reduction
- Weather Resistant IP 65 Rating
- Aluminum Housing With Mount Arm



Technical Specifications

| <i>Electrical</i> | 20VC724TDN NTSC | 21VC724TDN PAL |
|--------------------------|--|--------------------|
| Image Sensor | 1/3" Sony super HAD CCD | |
| Active Pixels (HxV) | 768 x 494 (380K) | 752 x 582 (440K) |
| Resolution | 550 TVL | |
| Scanning System | 2:1 interlace | |
| Scanning Frequency (HxV) | 15.734 KHz x 59.94 Hz | 15.625 KHz x 50 Hz |
| Sensitivity | Day .3 lux Night 0.00 lux (IR LED on) – 130ft range | |
| Synchronization | Internal | |
| Signal To Noise Ratio | > 50dB (AGC off) | |
| IR LED And CDS Sensor | IR LED (850nm, 42 EA) CDS sensor (1 EA) | |
| Gain | AGC on/off | |
| Flickerless Mode | On / off | |
| White Balance | Auto | |
| Back Light Compensation | On / off | |
| Day/Night | Electronic (DSS), ICR (sensor type) | |
| Digital Slow Shutter | Max 32x (on / off) | |
| Digital Zoom | 2x (on / off) | |
| Digital Noise Reduction | Auto | |
| Video Output | 1Vp-p (75 ohms, composite) | |
| Power Supply | 24VAC / 12VDC | |
| Power Consumption | .458mA | |

Environmental

| | |
|-------------------------------|----------------------------------|
| Ambient Operating Temperature | -10° C ~ 45° C (14° F ~ 113° F) |
| Storage Temperature | -20° C ~ 65° C (-04° F ~ 149° F) |

Mechanical

| | |
|------------------|--|
| Dimensions WxHxD | 83mm x 160.4mm (3.26" x 6.31") |
| Weight | 3.2 kg (7.1 lbs) |
| Lens | 3.8 – 9.5mm DCAI F1.2, 2x digital zoom |
| Fan/Heater | Built in |
| Construction | Diecast aluminum |
| Body Color | Dark grey |
| Application | Indoor / outdoor |

Accessories

| | |
|----------|----------------------------------|
| Included | Sun shield & wall bracket |
| Optional | 60PR24V2.08 – 24VAC power supply |

Approbations

CE, UL

06/23/08 PDS-20VC724TDN Rev D

All data subject to change without notice.

Videology® Imaging Solutions, Inc.



37M Lark Industrial Parkway
Greenville, Rhode Island 02828 USA
Tel: (401) 949 - 5332 Fax: (401) 949 - 5276
North/South American Sales: Sales@videologyinc.com

Videology® Imaging Solutions, Europe B.V.

Neutronenlaan 4
NL-5405 NH Uden, Netherlands
Tel: +31 (0) 413 256261 Fax: +31 (0) 413 251712
European Sales: Info@videology.nl