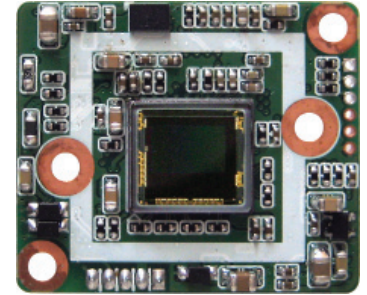


Product Features

Point and Zoom via VISCA Commands

- 1/3" 2MP Image Sensor
- 1080p 30/25fps
- Optical Zoom 2.7x -2MP to VGA
Digital Zoom to 33x
- Real Time True WDR
- CVBS analog displayed in 16:9 or Native 4:3
- VISCA control via RS-485
- Extended SDI
 - Transmissions to 500m (1,600ft.)
 - Latency <1fps
- HD-SDI



Technical Specifications

| Electrical | | 24P2.0XW-EXSDI |
|--------------------|--|---|
| Image Sensor | 2MP 1/3" Panasonic MN34229 Progressive scan sensor | |
| Active Pixels | 1944 (H) x 1092 (V) | |
| Frame rate | 30/25fps @ Full Resolution (2MP) | |
| Resolution | Digital | 1080p (30/ 25 fps) |
| | Analog* | >700 TVL (NTSC/PAL) |
| Min. Illumination | 1/30s | Color: 0.5 lux, B&W: 0.1 lux |
| | DSS 1/7.5s | Color: 0.02 lux, B&W: 0.025 lux |
| Gain Control (AGC) | Off/On | |
| Exposure | Auto/Manual | |
| Mirror/Flip | Off/H (mirror)/V (flip)/H&V | |
| Video Format | EX/HD-SDI: 16:9 CVBS: 16:9 or 4:3 <i>selectable</i> | |
| Video Output | EX-SDI | 270Mbps visually lossless compression thru 75Ω BNC connection |
| | HD-SDI | 1.485 Gbps, (SMPTE 292M) thru 75Ω BNC connection |
| | CVBS | NTSC/PAL standard, 1Vp-p @75Ω composite |
| WDR | Real time to 120dB (HD-SDI only) Digital 8x (HD-SDI and analog) Regions of Interest (BLC) within WDR | |
| Power | 5VDC +/- 0.1V, polarity protection | |
| Power Consumption | <1.4 watts | |

Communication

| | |
|-----------|--|
| VISCA | Camera control via VISCA commands (only) |
| Interface | via RS-485 |

Zoom Controls

| | |
|--|--|
| | 4 selectable predefine-able zoom settings Preset zoom Motion detect zoom |
|--|--|

Environmental

| | |
|-----------------|-----------------------------|
| Operating Temp. | -20°C - 50°C (04°F - 122°F) |
|-----------------|-----------------------------|

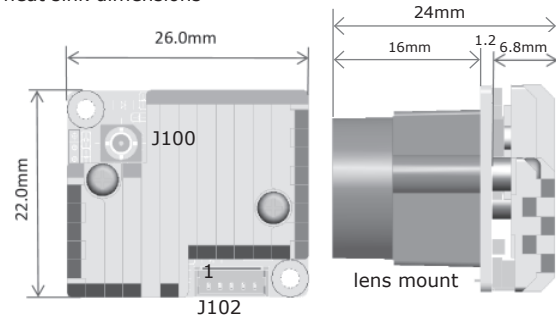
Mechanical

| | |
|------------------|---|
| Dimensions WxHxD | 22mm x 26mm x 24mm (0.87" x 1.02" x 0.94") (with heat sink and lens mount) |
|------------------|---|

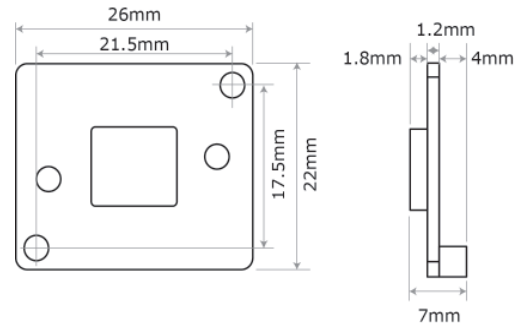
HD Transmission Distance

| | |
|--|------------------------|
| | EX-SDI 500m (1,600ft.) |
|--|------------------------|

heat sink dimensions



board dimensions



Connectors

J100 H-FL connector

| | |
|----|----------------|
| 01 | HD-SDI default |
| 02 | GND |

J102 MOLEX 53047-0510

| | |
|----|------|
| 01 | 5VDC |
| 02 | GND |
| 03 | CVBS |
| 04 | RX+ |
| 05 | RX- |

Lens

| | |
|------------|------------------|
| Lens Mount | Metal M-12 board |
|------------|------------------|

Optional Cables

| | |
|---------|----------------------------|
| 60C1203 | 5pin Molex to flying leads |
| 60C1182 | H-FL to BNC cable (8") |

* D-WDR mode only

See application note for more details.