

Product Features

- 1/3" color CCD (540TVL)
- 0.1 lux sensitivity
- 3 axis wall or ceiling mountable
- DC auto iris
- ALC adjustable
- Day/night mode

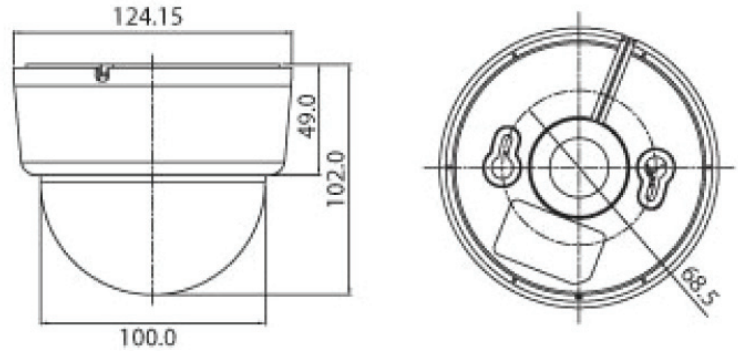


Technical Specifications

Electrical	D49XX
Image Sensor	1/3" IL CCD
Picture Elements	768 x 492 (NTSC) 752 x 585 (PAL)
Resolution	540 TVL
Sensitivity	0.1 Lux (30 IRE) f1.2 32000k
Signal To Noise Ratio	>48 dB (AGC off)
Gamma	0.45
Gain Control	AGC 36dB
Synchronization	Internal (crystal controlled)
Day/Night	Default on
Scan Mode	Interlaced
Backlight Compensation	Default on
White Balance	Default AWB
Contour (Edge) Enhancement	Factory set
Iris Controls	Electronic/Auto iris
Video Output	Composite 1Vp-p CVBS @75 ohms
Power Supply	12VDC/24VAC
Power Consumption	< 2.0W

Environmental

Operating Temperature	0°C ~ 70°C (32° F ~ 158° F)
Operating Humidity	20% ~ 90% RH
Storage Temperature	-25°C ~ 70°C (-13° F ~ 158° F)
Storage Humidity	Up to 98% RH
Lifetime MTBF	>150,000 hours
Warning: Avoid aiming the camera at the sun or other extremely bright lights. The CCD image sensor may be damaged if exposed to very bright objects.	



Mechanical

Dimensions Ø x H	124.15mm x 102mm (4.9" x 4")
Weight	480.8 g (1.06 lbs)
Lens Options	Replace "XX" in model number with desired lens
Example:	L4 3.8mm, M-12, fixed lens
Change D49XX to D49L4 to select an 3.8mm M-12 fixed lens	L6 6.0mm, M-12, fixed lens
	VB 4-9mm, DC auto iris, varifocal lens
	VA 4-9mm, manual iris, varifocal lens
	YB 3.6-16mm, DC auto iris, varifocal lens

Accessories

Included	BNC/power cable
Optional	60ZRC10 OSD control board

Standards

RoHS	
------	--

Optional Models

D4S9XX-P	PAL preset equivalent version
----------	-------------------------------