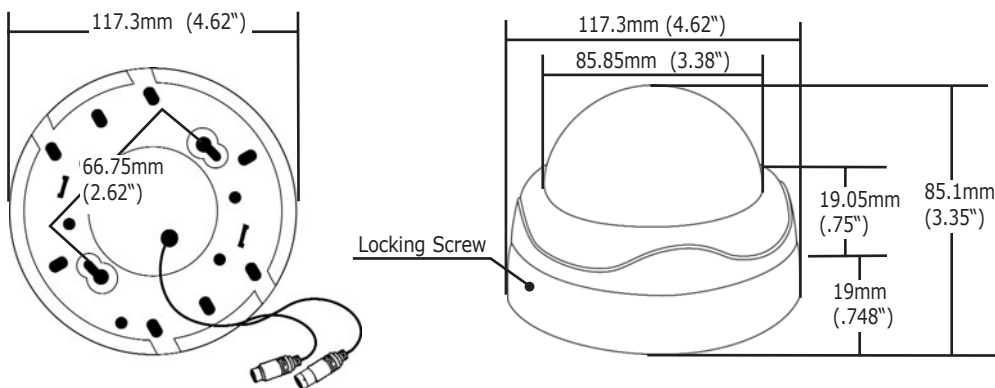




Camera Features

- 3-D Gimbal Rotation For Simple Mounting On Wall Or Ceiling
- 520 TVL Sony Color CCD
- Polycarbonate Fog Bubble & Base With Locking Screws



Technical Specifications

Fixed Lens

	D4V9L4 NTSC	D4V9L4P PAL
Electrical		
CCD Sensor	1/3" Sony CCD	
Resolution	520 TVL CVBS	
Sensitivity	0.5 Lux F1.2, 30 IRE	
Signal to noise ratio	45 dB (AGC off)	
Synchronization	Internal	
Back light compensation	On	
White balance	Automatic	
Shutter speed	1/60~100,000	1/50~100,000
AGC	On	
Iris	Electronic Iris	
Lens	3.8mm fixed lens	
Video output	1.0Vp-p Composite	
Power Supply	24VAC / 12VDC	
Power Consumption	<1W	

Environmental

Ambient operating temp.	-15° C ~ 55° C
Storage temp.	-25° C ~ 70° C

Mechanical

Dimensions WxHxD	117.3mm x 85.1mm (4.62" x 3.5")
Interfaces	2.1mm Male Power Connector, Female BNC

Accessories

Included	2.1mm to flying leads power adapter, Vandal resistant screw & Allen key
----------	--

Varifocal Lens

	D4V9VB NTSC	D4V9VBP PAL
Electrical		
CCD Sensor	1/3" Sony CCD	
Resolution	520 TVL CVBS	
Sensitivity	0.5 Lux F1.2, 30 IRE	
Signal to noise ratio	45 dB (AGC off)	
Synchronization	Internal	
Back light compensation	On	
White balance	Automatic	
Shutter speed	1/60~100,000	1/50~100,000
AGC	On	
Iris	DC Auto	
Lens	4 ~ 9mm DC iris varifocal lens	
Video output	1.0Vp-p Composite	
Power Supply	12VDC	
Power Consumption	<2W	

Environmental

Ambient operating temp.	-15° C ~ 55° C
Storage temp.	-25° C ~ 70° C

Mechanical

Dimensions WxHxD	117.3mm x 85.1mm (4.62" x 3.5")
Interfaces	2.1mm Male Power Connector, Female BNC

Accessories

Included	2.1mm to flying leads power adapter, Vandal resistant screw & Allen key
----------	--

See our other dome series:

Indoor 5" DB5S series
Ranges up to 5 ~ 33mm varifocal lens - WDR & TDN options
Vandal resistant outdoor 6" DW6V series - WDR & TDN options

08/11/09 PDS-D4V9 Series Rev A

All data subject to change without notice.

Videology® Imaging Solutions, Inc.



37M Lark Industrial Parkway
Greenville, Rhode Island 02828 USA
Tel: (401) 949 - 5332 Fax: (401) 949 - 5276
North/South American Sales: Sales@videologyinc.com

Videology® Imaging Solutions, Europe B.V.

Neutronenlaan 4
NL-5405 NH Uden, Netherlands
Tel: +31 (0) 413 256261 Fax: +31 (0) 413 251712
European Sales: Info@videology.nl