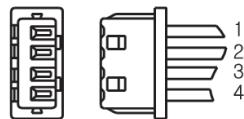
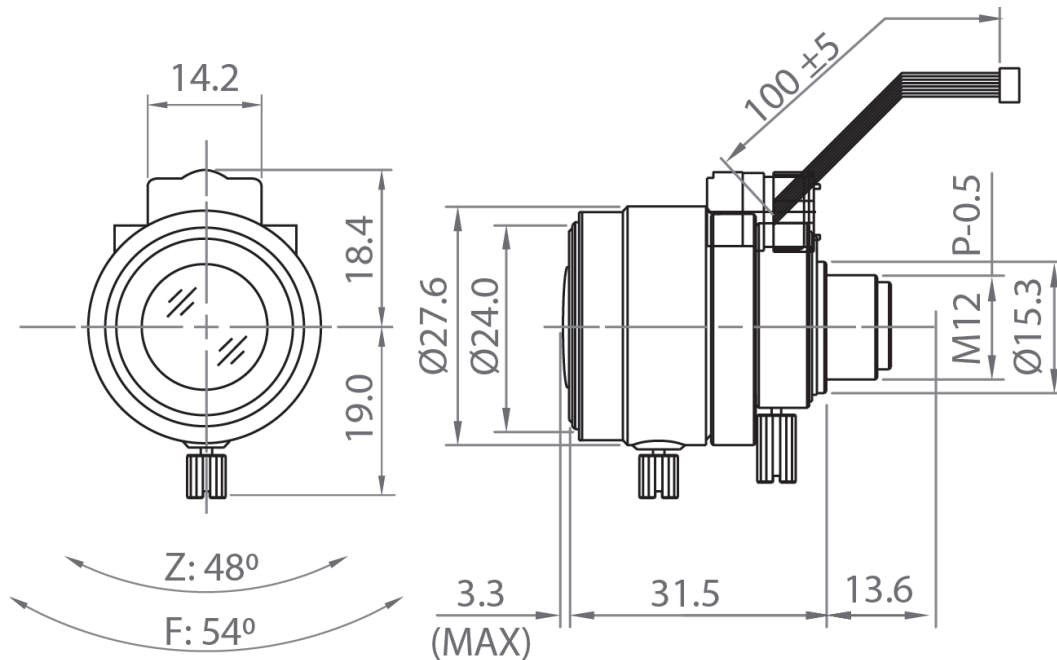


Technical Specifications

Sensing Area		1/4"	1/3"
Focal Length		2.6mm - 6mm	
Back Focal Length		6.0mm - 10.3mm	
Aperture		F1.6	
Field of View	Diagonal	93.8° ~ 45.1°	123.2° ~ 59.9°
	Horizontal	75.3° ~ 36.2°	99.8° ~ 48.1°
	Vertical	56.6° ~ 27.2°	75.3° ~ 36.2°
Operation	Iris	DC Auto	
	Focus	Manual	
	Zoom	Manual	
Minimum Object Distance		50cm	
Mount		M-12	
Dimensions (D x L)		Ø27.6mm x 34.8mm	
Weight		22g	



1	RED	CONTROL (+)
2	BROWN	CONTROL (-)
3	YELLOW	DRIVE (+)
4	ORANGE	DRIVE (-)