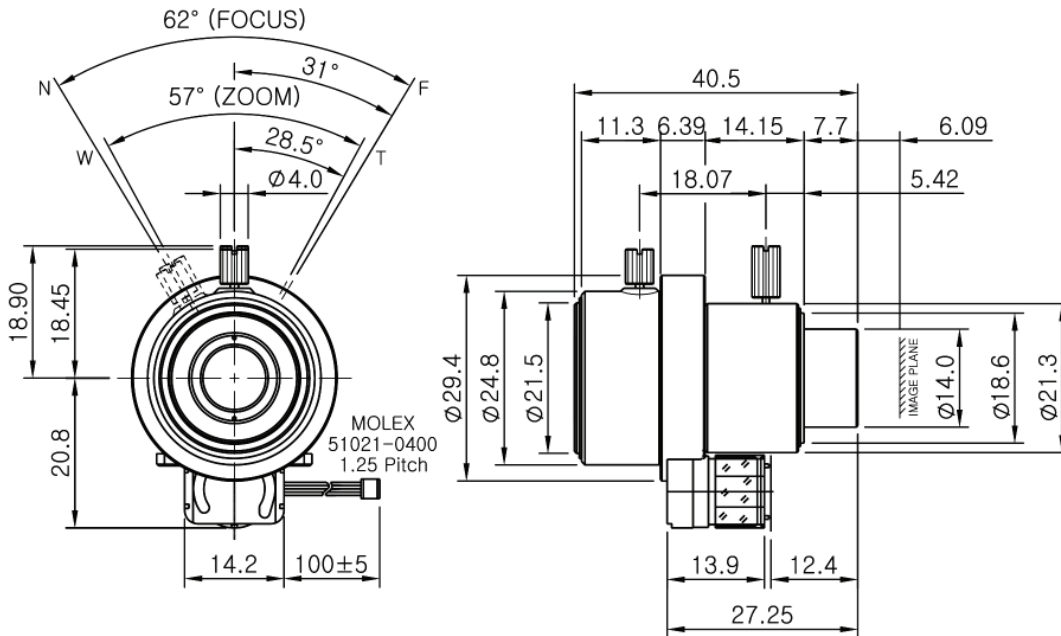


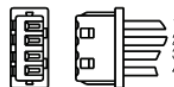
### Technical Specifications

Sensing Area		1/4"	1/3"
Focal Length		9.1mm - 21.5mm	
Back Focal Length		6.71mm - 14.54mm	
Aperture		F1.6	
Field of View	Diagonal	29.2° - 12.0°	40.6° - 16.2°
	Horizontal	23.1° - 9.6°	31.3° - 12.8°
	Vertical	17.2° - 7.2°	23.1° - 9.6°
Operation	Iris	DC Auto	
	Focus	Manual	
	Zoom	Manual	
Minimum Object Distance		50cm	
Mount		M-14	
Dimensions (D x L)		Ø29mm x 32.8mm	
Weight		24g	



Tolerance : ±0.4mm

PIN NUMBER



1	WHITE	+	CONTROL	3.5V ~ 5V
2	BLACK	-	COIL (465Ω)	/20°C
3	RED	+	DRIVE	3.5V ~ 5V
4	GREEN	-	COIL (190Ω)	/20°C