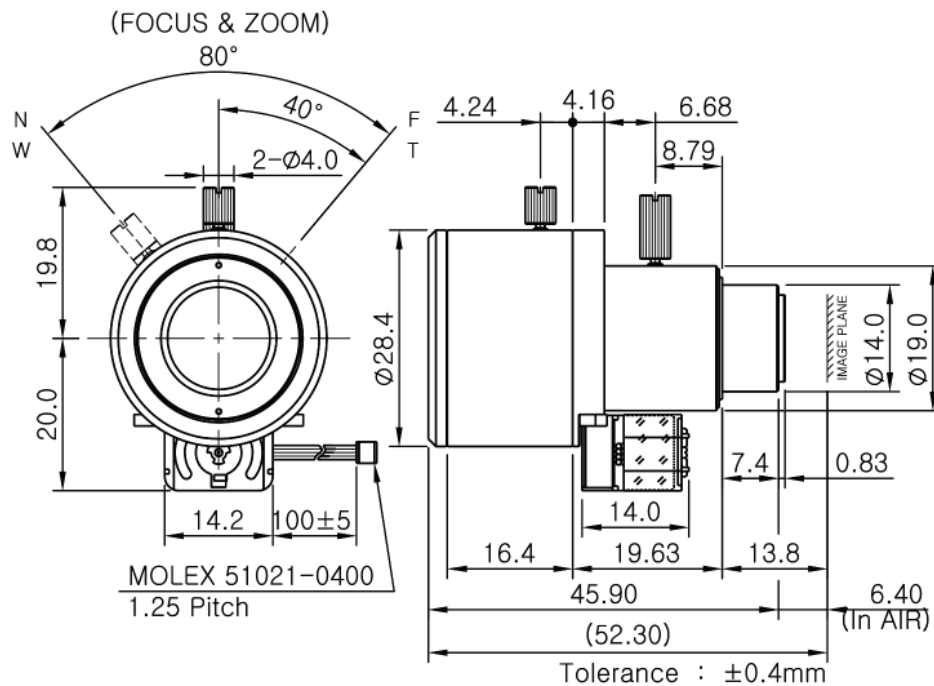
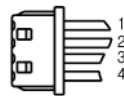


Technical Specifications

Sensing Area		1/4"	1/3"
Focal Length		3.6mm - 16.0mm	
Back Focal Length		6.15mm - 16.11mm	
Aperture		F1.2 ~ ∞	
Field of View	Diagonal	69.4° - 19.4°	100.0° - 26.1°
	Horizontal	54.2° - 15.5°	75.4° - 20.8°
	Vertical	39.9° - 11.6°	54.9° - 15.7°
Operation	Iris	DC Auto	
	Focus	Manual	
	Zoom	Manual	
Minimum Object Distance		50cm	
Mount		M-14	
Dimensions (D x L)		Ø28.4mm x 38.5mm	
Weight		22g	



PIN NUMBER



1	WHITE	+	CONTROL	3.5V ~ 5V /20°C
2	BLACK	-	COIL (850Ω)	
3	RED	+	DRIVE	3.5V ~ 5V /20°C
4	GREEN	-	COIL (190Ω)	