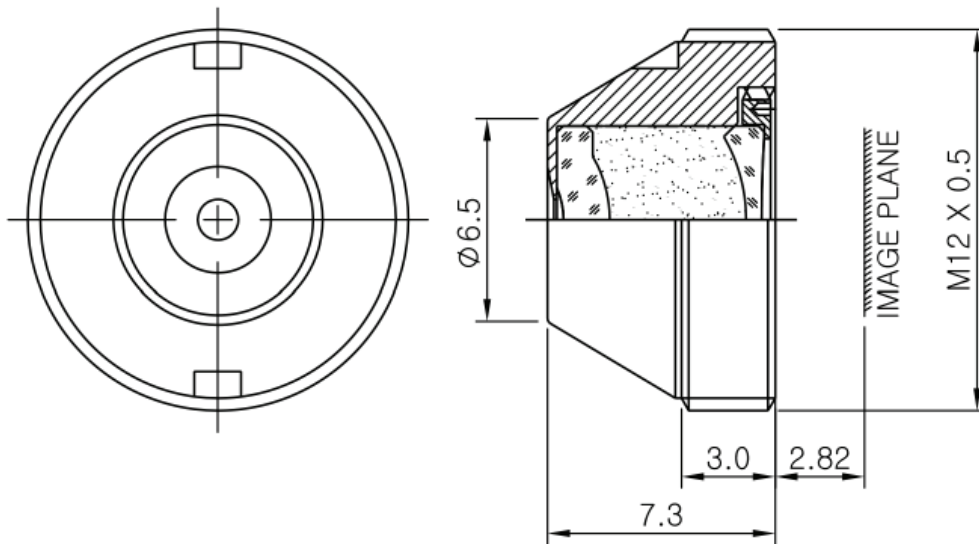


### Technical Specifications

Sensing Area		1/3"
Focal Length		3.7mm
Aperture		F2.0
Back Focal Length		3.3mm
Field of View (D x H x V)		90.0° x 57.8° x 48.6°
Operation	Iris	Fixed
	Focus	Manual
Distortion		-38%
Minimum Object Distance		40cm - ∞
Mount		M-12
Dimensions (Ø x L)		Ø12mm x 7.30mm
Weight		1.8g



Tolerance : ±0.4mm