

VIDEOLOGY®

IMAGING SOLUTIONS INC.

Operation Manual

20D679 (NTSC) / 21D679 (PAL)



BOX CONTENTS

1. Camera
2. User manual

SAFEGUARDS & WARNINGS

Prior to installation and use of this product, the following WARNINGS should only be observed.

1. Installation and servicing should only be done by Qualified Service and Installation Personnel.
2. Installation shall be done in accordance with all local and national electrical and mechanical codes.
3. Use only installation methods and materials capable of supporting four (4) times the maximum specified load.

Operating instructions

Gamma

The gamma control defines the overall transfer function of the camera. That is the relationship between the incident light intensity and the amplitude of the video output signal. A gamma of 1 defines a linear relationship, and is best suited for use with image capture devices.

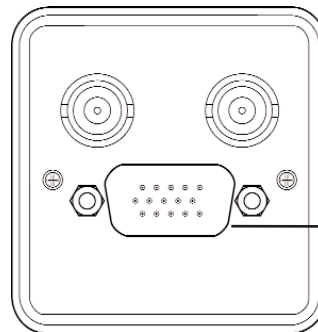
MGC - Manual Gain Control

V IN Sync - Vertical Sync In

H IN Sync - Horizontal Sync In

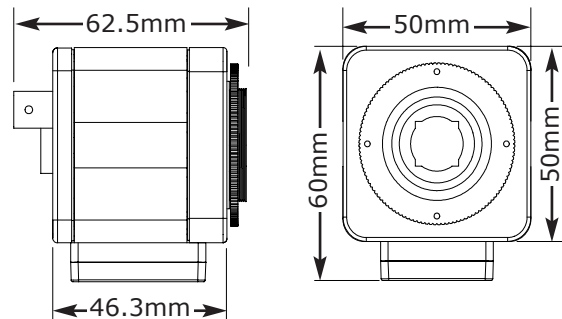
C IN Sync - Composite Sync In

Connectors



Pin	Function
1	Iris
2	CVBS
3	GND
4	+12V
5	GND
6	GND
7	GND
8	V IN Sync
9	C - Sync
10	MGC
11	N/A
12	N/A
13	Select 1
14	GND
15	5V Out

Dimensions



Technical Specifications

Electrical	20D679 (EIA)	21D679 (CCIR)
CCD Sensor	1/3" IL CCD mounted on metal reference plate	
Active Pixels (HxV)	768 x 492	752 x 582
Horizontal Resolution	>570 (TVL)	
Sensitivity	0.05 lux at 50 IRE (F1.2 32dB Max gain), 0.006 minimum image capture spectral sensitivity to 1 micron, see spectral response curve	
Signal to Noise Ratio	48 dB	
Gamma	1.0 fixed	
Gain	AGC (manual option)	
Synchronization	Internal, composite sync, V-sync	
Back Light Comp	Off	
Shutter Speed	1/60 to 1/100,000	1/50 to 1/100,000
Contour Enhancement	Off	
Iris	Fixed	
Video Output	1Vp-p 75 ohms composite	
Power Supply	12VDC	
Power Consumption	<1.5W	

Environmental

Operating Temp.	-10° ~ 55° C
Storage Temp.	-20° ~ 60° C

Mechanical

Dimensions (WxHxD)	50mm x 50mm x 53mm
Lens Mount	CS mount C mount via adapter ring
Connectors	15 pin D-Sub HD, CVBS Video Out (BNC), Composite Sync In (BNC)

Accessories

Optional	60PR12DC800	12VDC regulated power supply
	60VZZ0030C	Mount with adapter ring
	Mounting plate - top or bottom mountable	

Spectral Response Curve

