

VIDEOLOGY[®]
IMAGING SOLUTIONS INC.



BOX CONTENTS

1. 20D739B NTSC or 21D739B PAL Color Camera
2. Mounting Plate attached to housing with 2 screws. (movable for top mounting)
3. Operation manual

SAFEGUARDS & WARNINGS

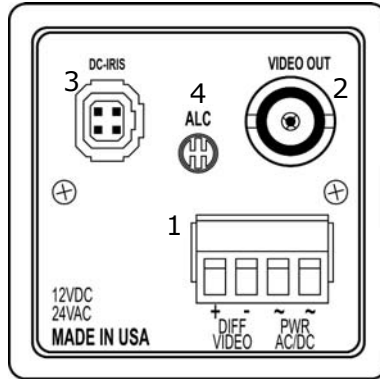
1. Read instructions before operating camera.
2. Avoid mounting in direct sun light.
3. Installation and repair should be undertaken by authorized personnel only.

Note: This camera comes w/BLC default ON.

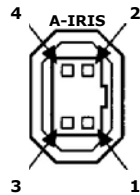
INSTALLATION TIPS

If the camera is to be mounted outdoors, or in hot, humid, or otherwise harsh environments, a secondary enclosure should be used.

CONNECTORS

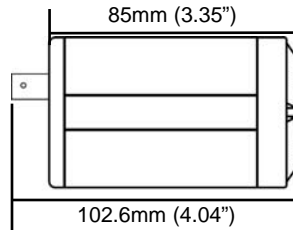
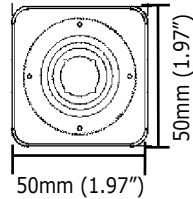


Pin Assignment



DC Auto Iris (DC)

1. Control -
2. Control +
3. Drive +
4. Drive -



CONNECTORS

1. The camera has a 4 position terminal block located at the rear. It can accept either 24VAC or 12VDC inputs and is not polarity sensitive. Video and power output for CAT 5 / CAT 6 Transmission.

2. Composite Video Output. This is a standard Male PC mounted BNC connector.

3. DC Iris. This is a standard 4 position DC Iris connector.

4. ALC Level Control

The 20/21D739B can operate an auto iris lens. For ALC adjustment, adjust the potentiometer at the back of the camera.

Power Board Controls

The camera has 24VAC / 12VDC capability.

SPECIFICATIONS

	20D739B	21D739B
Electrical	NTSC	PAL
Image Sensor	1/3" interline CCD	
Active Pixels (HxV)	768 x 492	752 x 585
Resolution	>480 TVL	
Sensitivity	0.5 lux at 30 IRE (AGC max)	
Signal To Noise Ratio	>48 dB	
Gamma	0.45	
Gain	Automatic	
Synchronization	Internal	
Back Light Compensation	Default on	
Contour Enhancement	Default on	
White Balance	Auto 2300 - 7500K	
Iris Signal	Electronic (default) or direct drive w/ iris (auto detect)	
Iris Controls	ALC pot for direct drive iris	
Video Output	Balanced video @ 100 Ohms Composite video (BNC for short range FOV setup)	
Power Supply	12 - 28VAC 50/60Hz 10.8 - 39VDC polarity independent	
Power Consumption	< 3W	

Environmental

Operating Temperature	-15° C ~ 55° C
Temperature	(05° F ~ 131° F)
Storage Temperature	-25° C ~ 70° C
	(-13° F ~ 158° F)

Mechanical

Dimensions WxHxD	50mm x 50mm x 85mm (1.97" x 1.97" x 3.35")
With Connectors And Mount	50mm x 60mm x 102.6mm (1.97" x 2.4" x 4.04")
Weight	217.5g (0.48 lbs)
Lens Mounts	C, CS

Accessories

Included	Metal mounting plate for top/bottom mounting. Detachable power block for easy installation.
Optional	60P24VAC - 24VAC power supply 60PR12DC800 - 12VDC power supply 60VZZ0030 - C Mount w/ adapter ring TBD - Balun

BACK FOCUS ADJUSTMENT

Adjust the back focus only if the lens is not operating within its specified focal range (i.e. 1.0m ~ infinity).

1. With a allen wrench (not supplied), loosen the two lock screws on the front panel.

2. Loosen the back focus ring.

3. To properly back focus the lens, turn the small back focus ring counter-clock-wise to reduce the focal length, or clock-wise to increase the focal length, until the desired focus is attained.

4. Tighten the lock screws to secure the back focus ring.

