

# VIDEOLOGY®

IMAGING SOLUTIONS INC.

## Operation Manual GEN III Wide Dynamic Range Camera 20E709W / 21E709W



### BOX CONTENTS

1. 20E709W NTSC OR 21E709W PAL camera
2. DC Iris connector
3. Operation manual

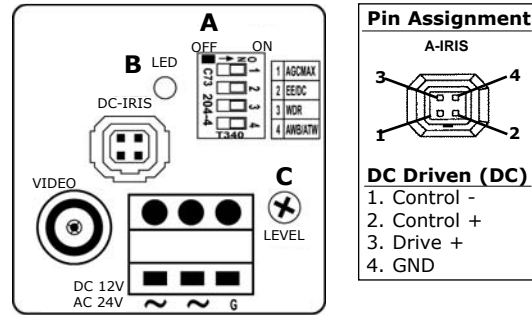
### SAFEGUARDS & WARNINGS

1. Read instructions before operating camera.
2. Avoid mounting in direct sunlight.
3. Installation and repair should be undertaken by authorized personnel only.

### INSTALLATION TIPS

If the camera is to be mounted outdoors, or in hot, humid, or otherwise harsh environments, a secondary enclosure should be used.

### CONTROLS / CONNECTORS



#### A. Dip Switch Controls

	OFF	ON
1) AGC Max	Normal AGC	Maximum AGC
2) EE / DC	Electronic iris	DC iris
3) WDR	Disengage WDR	Engage WDR
4) AWB / ATW	Auto white balance	Auto white tracking

**Note:** Select ATW for fast white balance. If a slower white balance is desired due to temporary scene change, then select AWB.

#### B. Power Indicator Light

When illuminated, power is "on".

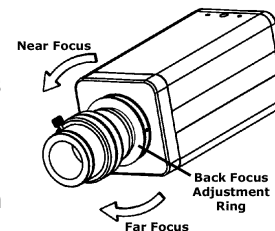
#### C. Level

DC iris control. When a DC iris is used, the "level" potentiometer adjusts the iris for different lighting environments.

### BACK FOCUS ADJUSTMENT

Adjust the back focus only if the lens is not operating within its specified focal range (i.e. 1.0m ~ infinity).

1. Loosen the two allen head screws on the lens collar using a allen key (not provided).
2. To properly back focus the lens, turn the back focus ring counter clock-wise to reduce the focal point, or clockwise to increase the focal point, until the desired focus is attained.



3. Tighten the two allen head screws with a allen key (not provided).

### TECHNICAL SPECIFICATIONS

Electrical	20E709W (NTSC)	21E709W (PAL)
Image Sensor	1/3" Sony interline double scan CCD	
Active Pixels (HxV)	768 x 492	768 x 492
Resolution	450 TVL	
Sensitivity	0.3 lux at 30 IRE (F1.2)	
Signal To Noise Ratio	> 46dB (AGC off)	
Gamma	0.45	
Gain	AGC on/off	
Synchronization	Internal	
Backlight Compensation	On/off	
White Balance	Auto tracking/AWB	
Dynamic Range	64dB	
Wide Dynamic Range	On/off	
Iris Controls	DC iris & ALC adjust	
Video Output	1Vp-p composite, 75 ohms	
Power Supply	12VDC/24VAC	
Power Consumption	< 3.5W	
Power Indicator	LED (rear)	

#### Environmental

Operating Temp	-10° C ~ 55° C (14° F ~ 131° F)
Storage Temp	-20° C ~ 70° C (-04° F ~ 158° F)
Operating Humidity	< 90% non-condensing
Storage Humidity	< 95% non-condensing

#### Mechanical

Dimensions WxHxD	50mm x 60mm x 105.4mm (1.97" x 2.4" x 4.15")	
Weight	390g (0.86 lbs)	
Lens Mounts	C, CS	
Connectors	Power	3-pin terminal
	Video Output	BNC (rear)

#### Accessories

Included	1 mounting plate: top or bottom mountable
Optional	60P24VAC 24VAC power supply