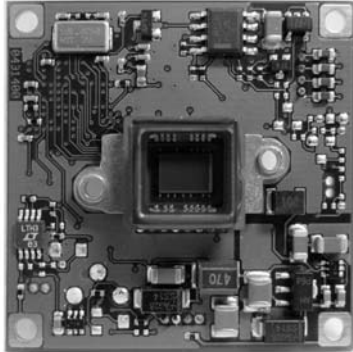


VIDEOLOGY[®]

IMAGING SOLUTIONS INC.

Operation Manual

20D10X (NTSC) / 21D10X (PAL)
20D11X (NTSC) / 21D11X (PAL)



BOX CONTENTS

1. Camera module
2. Connection cable
3. User manual

SAFEGUARDS & WARNINGS

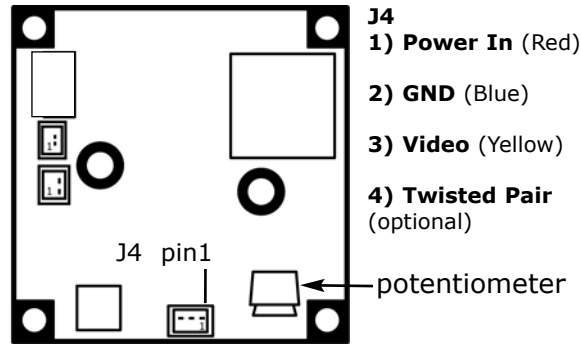
Prior to installation and use of this product, the following WARNINGS should only be observed.

1. Installation and servicing should only be done by Qualified Service and Installation Personnel.
2. Installation shall be done in accordance with all local and national electrical and mechanical codes.
3. Use only installation methods and materials capable of supporting four (4) times the maximum specified load.

This camera comes with a preset of Back Light Compensation **ON**.

Connector Settings (Rear)

Power/Video Connector



ALC Level Control

The 20/21D1X series can operate an auto iris lens without a power board. For ALC adjustment on a 20/21D1X without a power board, adjust the potentiometer at the back of the camera.

Power Board Controls (Optional 60PB24VS)

In dome enclosures the camera may be connected to a power board that provides 24VAC/12VDC capability.

Technical Specifications

Electrical	(NTSC)		(PAL)
	Image	2xD10x	1/3" IL CCD
Sensor	2xD11x	1/3" Sony IL CCD	
Picture	2xD10x	768 x 492	752 x 582
Elements	2xD11x	512 x 492	500 x 582
Resolution	2xD10x	480 TVL	
	2xD11x	330 TVL	
Sensitivity	2xD10x	0.5 Lux (50 IRE) f1.2 3200°K	
	2xD11x	0.39 Lux (30 IRE) f1.2	
		0.75 Lux (50 IRE) f1.4	
Signal To Noise Ratio	>48 dB (AGC off)		
Gamma	0.45		
Gain Control	AGC 36dB		
Synchronization	Internal (crystal controlled)		
Scan Mode	Interlaced		
Backlight Compensation	On (off via jumper)		
White Balance	AWB		
Contour Enhancement	On		
Iris Controls	Electronic/DC auto iris (auto detect)		
Video Output	Composite 1Vp-p CVBS (75 ohms) Balanced video output option, Please refer to "Complementary Models"		
Power Supply	+12VDC (+/- 10%)		
Power Consumption	< 1.0W		

Environmental

Operating Temp	-15° C ~ 55° C (5° F ~ 131° F)
Storage Temp	-30° C ~ 80° C (-22° F ~ 176° F)
Operating Humidity	20 to 93% RH
Storage Humidity	Up to 98% RH
Lifetime	MTBF >150000 hours
Packaging	Metalized, conductive bags

Warning: Avoid aiming the camera at the sun or other extremely bright lights. The CCD image sensor may be damaged if exposed to very bright objects.

Mechanical

Dimensions WxHxD	38mm x 38mm x 18.14mm (1.5" x 1.5" x 0.71") with pinhole mount
Weight	9.5g (0.021 lbs)
Lens Mount	Replace "X" in model number with desired lens mount option:
Example:	2 = Metal M-12 Pinhole
Change 20D10X to 20D105 to select an M-12 Board Mount.	5 = Metal M-12 Board 6 = Metal M-14 Board 8 = Metal CS

Complementary Models

20/21D10XS	Sony Ex-view [®] CCD
20/21D10XB / 20/21D11XB	Balanced video output
20/21D10XA*	Audio

X = lens mount option (refer to Mechanical)

* Audio option: Equipment with audio recording capabilities is intended to be used only for legal and proper purposes. The customer assumes all liability related to legal and proper use per VIS waiver FOR-03-021.