

Installation and operation manual

78V0006 wall mount adapter for 15 inch LCD 45M151D.

Note:

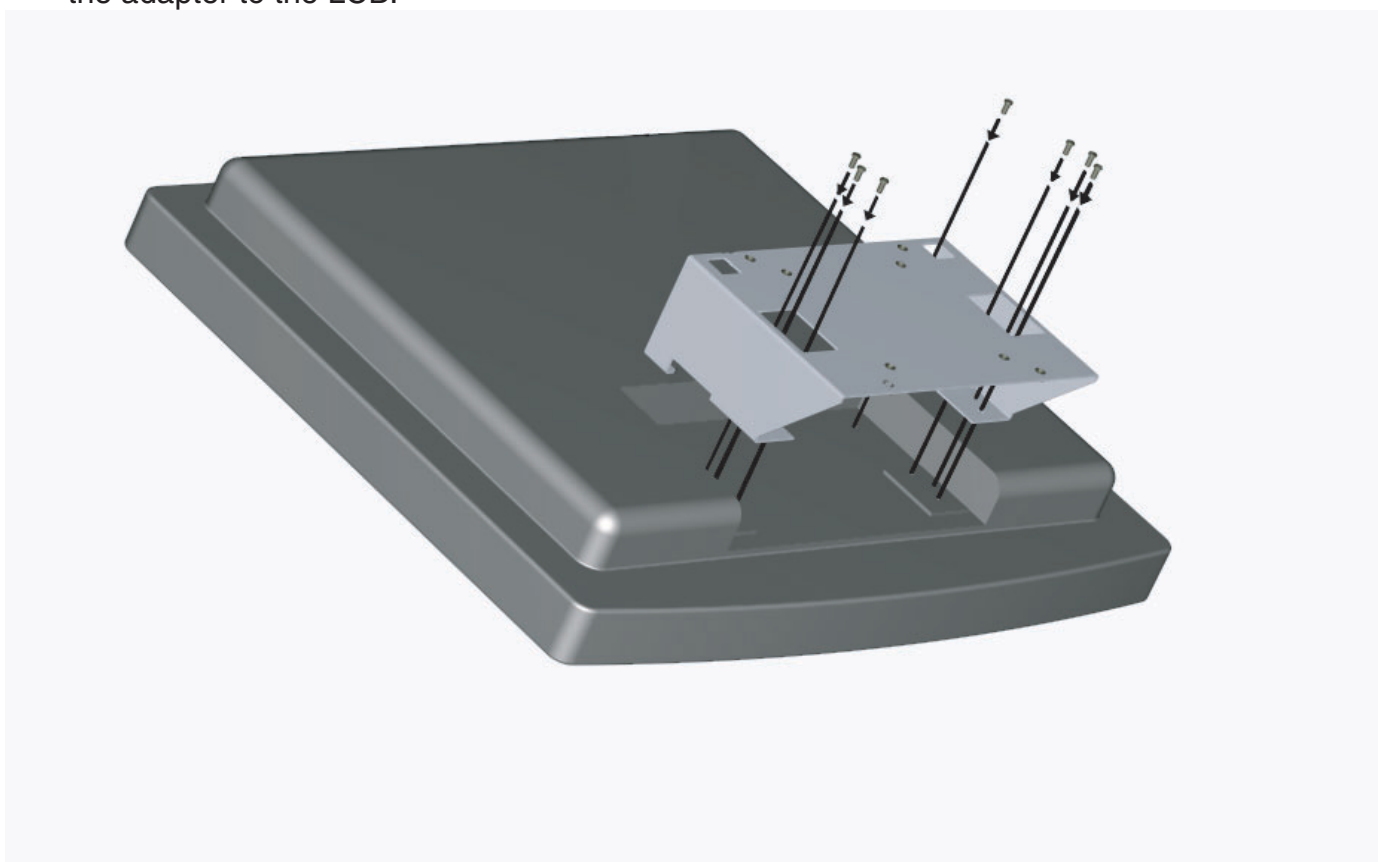
The 78V0006 wall mount adapter is designed to adapt the 45M151D monitor to a VESA standard wall mount. Installation is to be performed only by qualified personnel.

I. Removal of monitor base.

- A. Remove video /power input access panel.
- B. Unplug the power connector located at the left of the inside connector panel.
- C. This exposes the base mounting hardware. There are two metal panels on either side of the monitor that are held to the monitor by 4 screws each (3 bottom and 1 at the top). These metal plates hold the base to the monitor.
- D. Remove all 8 screws and set aside. This will leave only the audio connection to the base stand to be disconnected.
- E. Unplug the audio connector. The base will now be disconnected from the LCD.

II. Attaching the wall mount adapter to the monitor.

Set the wall mount adapter onto the exposed area at the rear of the monitor, lining up the 8 screw holes to the 8 screw holes on the rear of the monitor. Using the screws set aside in step C attach the adapter to the LCD.



III. Removing and reinstalling the 12VDC power supply.

- A. Remove the rear plate of the monitor base.
- B. Remove the power supply from the base.
- C. The power supply can now be reattached to the monitor.